



INSTALLATION INSTRUCTIONS

Utility Vehicle Plow Blade Kit

WARN Part Number: 70935

Application: Utility Vehicles

Your safety, and the safety of others, is very important. To help you make informed decisions about safety, we have provided installation and operating instructions and other information on labels and in this guide. This information alerts you to potential hazards that could hurt you or others. It is not possible to warn you about all potential hazards associated with this product, you must use your own good judgment.

CARELESS INSTALLATION AND OPERATION CAN RESULT IN SERIOUS INJURY OR EQUIPMENT DAMAGE. READ AND UNDERSTAND ALL SAFETY PRECAUTIONS AND OPERATING INSTRUCTIONS BEFORE INSTALLING AND OPERATING THIS PRODUCT.

This guide identifies potential hazards and has important safety messages that help you and others avoid personal injury or death. **WARNING** and **CAUTION** are signal words that identify the level of hazard. These signal words mean:

▲ WARNING signals a hazard that *could* cause serious injury or death, if you do not follow recommendations. **▲ CAUTION** signals a hazard that *may* cause minor to moderate injury, if you do not follow recommendations.

This guide uses **NOTICE** to call attention to important mechanical information, and **Note**: to emphasize general information worthy of special attention.

▲ WARNING

INJURY HAZARD

Failure to observe these instructions could lead to severe injury or death.

- Always Read the Plow Operator's Manual, the Winch Operator's Manual and all warning labels before operating.
- Always use extreme caution when drilling on any vehicle. Make sure that all fuel lines, brake lines, electrical wires, and other objects are not punctured or damaged when/if drilling on the vehicle. Thoroughly inspect the area to be drilled (on both sides of material) prior to drilling, and relocate any objects that may be damaged. Failure to inspect the area to be drilled may result in vehicle damage, electrical shock, fire or personal injury.
- Always wear safety glasses when installing this kit. A drilling operation will cause flying metal chips. Flying chips can cause eye injury.
- Always use extreme caution when cutting and trimming during fitting.
- Always remove jewelry and wear eye protection.
- Never lean over battery while making connections.
- Never route electrical cables:
 - Across any sharp edges.
 - Through or near moving parts.
 - Near parts that become hot.
- Always insulate and protect all exposed wiring and electrical terminals.
- Always install terminal boots as directed in installation instructions.
- Always use appropriate and adequate care in lifting components into place.
- Always insure components will remain secure during installation and operation.
- Always tighten all nuts and bolts securely, per the installation instructions.
- Always operate the vehicle at a walking speed with the blade installed. Never exceed 5 mph (8 km/h), even with blade up.
- Always plow cautiously, impact with hidden or stationary object may cause the vehicle to stop suddenly or go out of control.
- Never operate the vehicle on slopes greater than 10 degrees with the plow installed.
- Never stand or ride on the plow.
- Always stay clear of moving parts and joints. Always keep others away when operating or adjusting plow.
- Always perform regular inspections and maintenance on the plow mechanism, fasteners, cable and related hardware.
- Always replace all worn or damaged parts before operating.
- Never operate this WARN product with damaged or missing parts.
- Always drive slowly over bumpy and rough terrain. Driving at speeds that cause the plow to bounce while in the up position can cause the winch to back-drive, causing the plow to work its way down. This may result in the plow impacting a stationary object and cause damage to the vehicle and operator injury or death.
- Always drive at speeds such that the plow does not bounce and be aware of the plow position while driving at all times.
- Always be aware that the purpose of the j-bolt is to break the connection between the plow and the winch, to prevent serious damage to the ATV if the plow is raised too high. The plow blade will drop suddenly if the j-bolt breaks, so always be sure there are no bystanders when you raise and lower the plow.
- Never raise the top of the plow above the headlights of the ATV, as it may damage the vehicle and plow.
- Always replace a deformed or broken j-bolt with the spare j-bolt included in the kit.

Before You Begin

This kit also requires a Utility Vehicle Plow Base kit, a vehicle specific Plow Mounting kit, and a WARN winch for raise and lower the plow. Please contact your nearest dealer for part numbers. Please note that much of the hardware used for this installation can be found in the Plow Base kit. A list of replacement parts may be found on the last page of this document.

Table of Contents

| | | |
|------|-----------------------------|---|
| I. | Tools Required | 2 |
| II. | Torque Specifications | 2 |
| III. | Parts List | 3 |
| IV. | Installation | 3 |
| V. | Maintenance/Care | 5 |

I. Tools Required

- Ratchet
- Sockets: 1/2", 9/16", 3/4"
- Box Wrenches: 1/2", 9/16", 3/4"
- Allen Wrenches: 3/16"

II. Torque Specifications

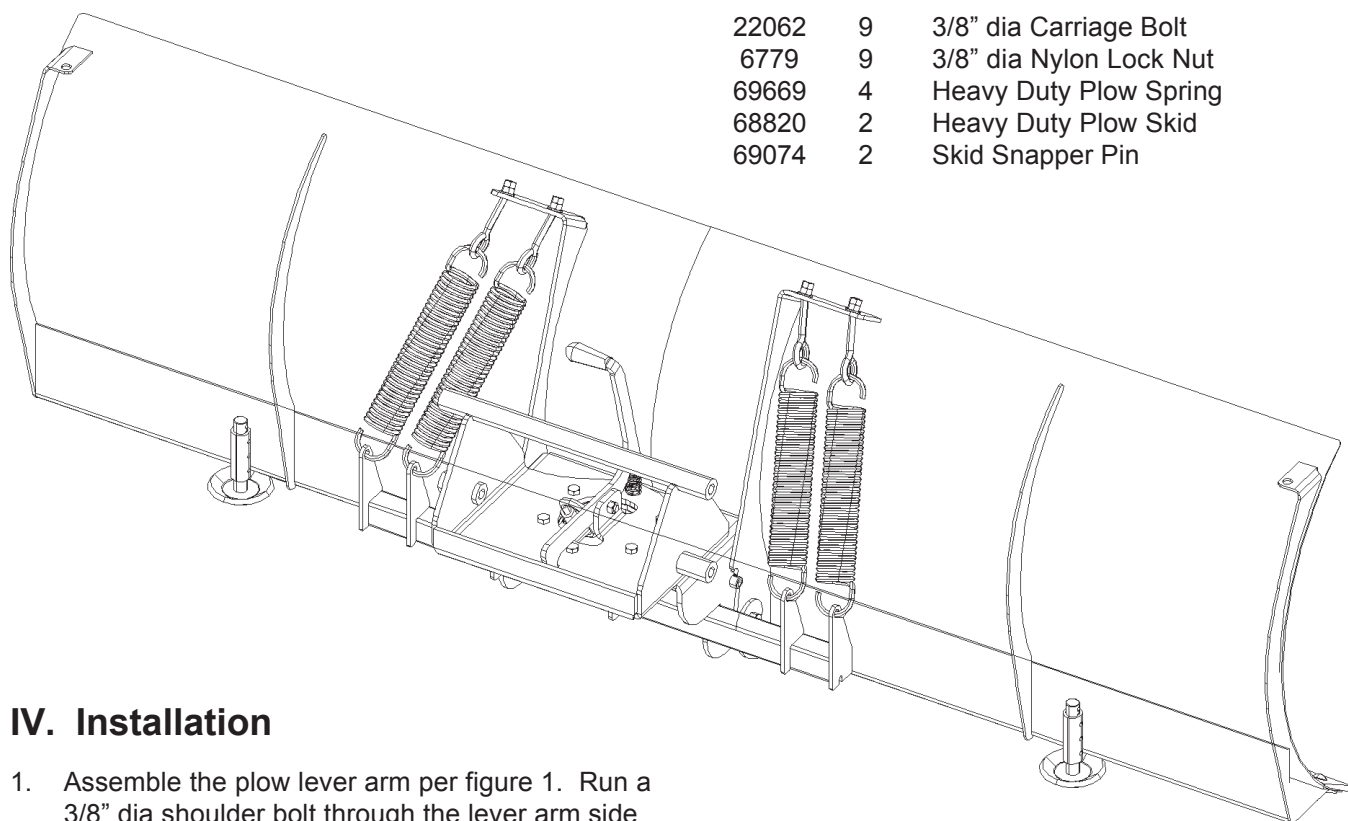
Please use the recommended torque specifications when assembling this product unless otherwise specified in the instructions.

5/16" diameter bolt and nuts: 12 ft-lbs (17 N-m)

3/8" diameter bolt and nuts: 20 ft-lbs (28 N-m)

III. Parts List

| Part # | Qty | Description |
|--------|-----|-------------------------|
| 69279 | 1 | 66" Plow Blade |
| 70452 | 1 | 66" Wear Bar |
| 22062 | 9 | 3/8" dia Carriage Bolt |
| 6779 | 9 | 3/8" dia Nylon Lock Nut |
| 69669 | 4 | Heavy Duty Plow Spring |
| 68820 | 2 | Heavy Duty Plow Skid |
| 69074 | 2 | Skid Snapper Pin |



IV. Installation

1. Assemble the plow lever arm per figure 1. Run a 3/8" dia shoulder bolt through the lever arm side and out the center hole in the plow base. Terminate with a 5/16" dia lock nut. Tighten until the lever arm is firmly against the plow base, but back off the torque until the lever arm rotates freely.
2. Attach two socket screws to the side flanges of the plow base as shown in figure 1. Place the socket screw in one of the two holes in the side flange, and place the other socket screw in the same location on the opposite side. Terminate with a 3/8" dia lock nut.

NOTE: It is recommended to first place the socket screw in the lower hole in the side flange of the plow base. Use the hole furthest from the plow blade for more plow undercut.

3. Attach the quicklink to the center of the plow base as shown in figure 1. With the quicklink open, slide the mouth of the quicklink over the center bar located in the middle of the plow base next to the lever arm. Once in position, tighten the quicklink closed.

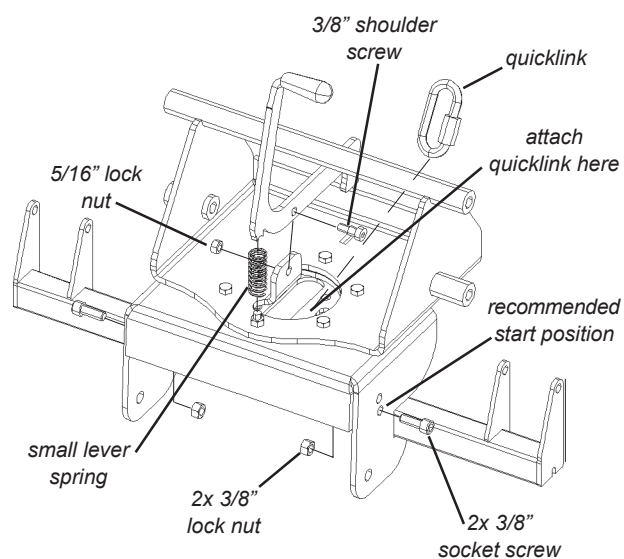


Figure 1 Assemble Plow Lever

4. Attach the wear bar to the plow blade as shown in figure 2. Place 3/8" dia carriage bolts through each of the square holes in the wear bar, and through their respective holes on the blade. Terminate with a 3/8" dia lock nut.

5. Lie the plow face down on the ground. Place the plow base between the two center ribs of the plow as shown in figure 3. Attach the plow blade to the plow base by running a 1/2" dia bolt through the large retainer washer, bearing washer, shim washer, the plow blade rib, and then the plow base. The bearing washer should rest inside the large hole in the side of the plow. Terminate with a 1/2" dia lock nut. Back off the torque if the plow blade doesn't rotate freely around the plow base.

5. Assemble the plow springs as shown in figure 4. Slide a 5/16" dia eyebolt up through the small hole located on the center bent flange on the plow blade. Terminate the eyebolt with a 5/16" dia washer and nut. Hook the heavy-duty plow spring onto the bottoms side flanges of the plow base, and to the eyelet of the eyebolt. Tighten the 5/16" nut until there is tension on the spring (i.e.; it is difficult to remove the spring from the eyebolt). Once the desired tension is determined, terminate the eyebolt with a second 5/16" dia nut and tighten it against the first 5/16" dia nut. If installed correctly, the nuts should not be able to rotate off the end of the eyebolt.

6. Attach the heavy-duty plow skids to the plow blade. Slide the skid into the skid sleeve toward the edges of the plow blade. Terminate with a snapper pin by running the pin through one of the three skid sleeve holes and through the desired skid hole. The skid height can be adjusted in 5/32" increments by placing the snapper pin through different holes in the skid sleeve. Be sure to lock the snapper pin when completed to prevent losing the pin and skid during plowing.

NOTE: Set the skids higher than the edge of the plow blade for gravel and decorative surfaces. Set the skids at plow edge level for pavement and concrete surfaces. Failure to use the skids can result in scratches to the roadway surface and reduced wear bar life.

Installation is now complete and should look like the diagram on page 3, please proceed to the next section.

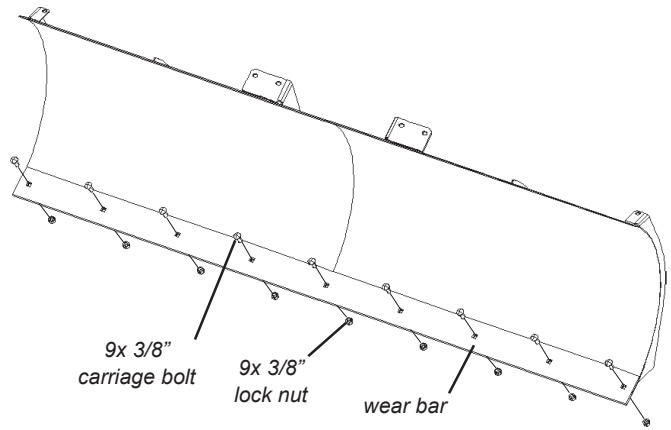


Figure 2 Assemble Wear Bar to Blade

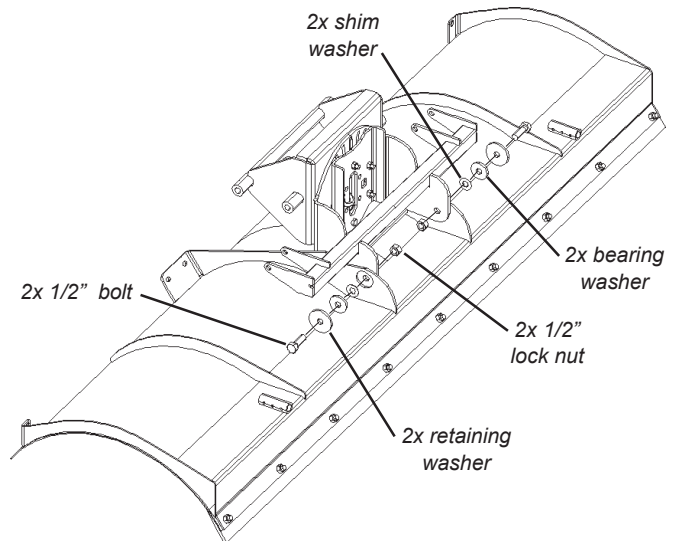


Figure 3 Attach Plow Base to Blade

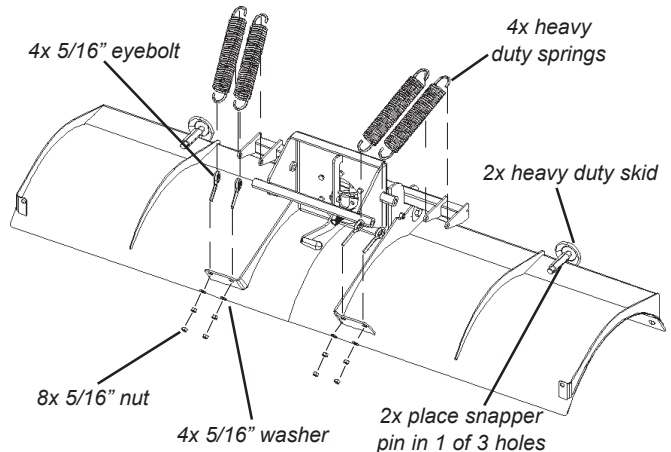


Figure 4 Assemble Plow Springs and Skids

V. Maintenance/Care

- Inspect all metal parts on the plow, plow mount, and related hardware prior to each use. Replace all parts that appears rusted or deformed.
- Inspect all nuts and bolts on the plow, plow mount, and related hardware prior to each use. Tighten all nuts and bolts that appear to be loose. Stripped, fractured, or bent bolts or nuts must be replaced.
- Check all cables prior to use. Replace cables that are worn or frayed.
- Check all moving and rotating parts. Remove debris that may inhibit the part from moving freely.

⚠ WARNING

Failure to perform regular inspections and maintenance on the plow, plow mount, and related hardware may result in vehicle damage and operator injury or death.

The following replacement parts are available for purchase:

| Part # | Description | Notes |
|---------------|-------------------------|--------------------|
| 70450 | 66" Wear Bar | 1x 70452 |
| 69212 | Heavy Duty Skid and Pin | 2x 68820, 2x 69074 |

Contact your nearest WARN dealer for ordering. To find a dealer nearest you, contact the WARN dealer locator line at 1-800-910-1122.

If you are having problems with your plow, please follow the steps below:

1. Reference the installation instructions for tips or notes.
2. Contact the dealer where you purchased the kit.
3. Call an authorized WARN Service Center from the warranty sheet included in the kit. Please have the following information available before calling; part number (listed on front of instructions), date of purchase, and make, model, and model year of ATV.
4. Contact WARN customer service at 1-800-543-9276 or www.warn.com. Again, please have the following information available before calling; part number (listed on front of instructions), date of purchase, and make, model, and model year of ATV.